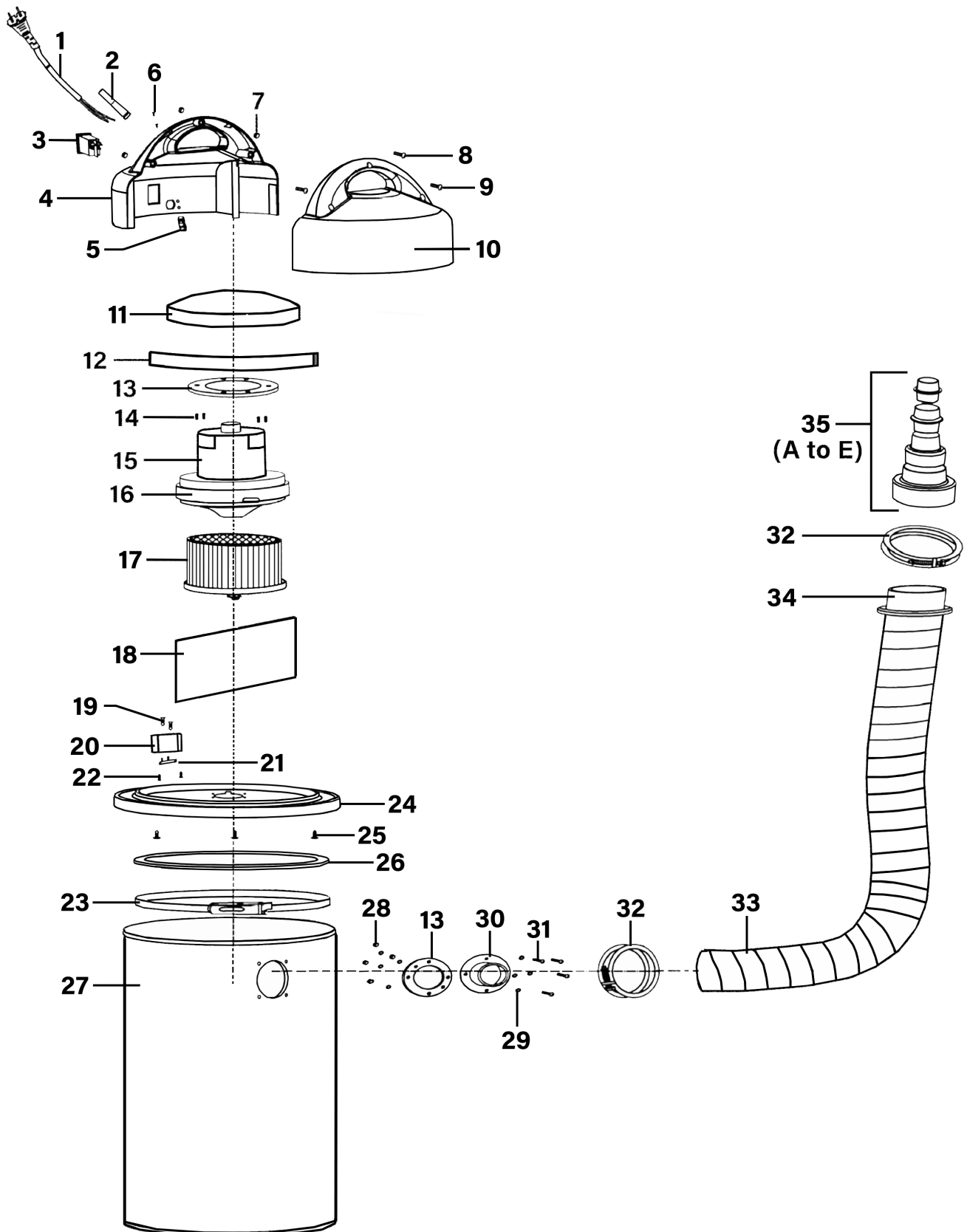




Parts Information:  
Portable Dust Extractor 50L 1200W  
Model No: SM68



**NOTE:** It is our policy to continually improve products and as such we reserve the right to alter data, specifications and component parts without prior notice. There may be alternative versions of this product, please contact us should you require this information.

**IMPORTANT:** No liability is accepted for incorrect use of product. Spare parts must be fitted by a competent person

**WARRANTY:** Guarantee is 12 months from purchase date, proof of which will be required for any claim.

Sealey Group, Kempson Way, Suffolk Business Park, Bury St Edmunds, Suffolk. IP32 7AR



01284 757500



sales@sealey.co.uk



www.sealey.co.uk



Parts Information:  
**Portable Dust Extractor 50L 1200W**  
**Model No: SM68**

Item	Part No.	Description	Qty
1	SM68-01	Power Cord	1
2	SM68-02	Cable Sleeve	1
3	SM68-03	Power Switch (Gorbo Xck-019)	1
4	SM68-04	Protection Guard (Left Side)	1
5	SM68-05	Strain Relief Plate	1
6	MSP410.S	Machine Screw Pan Head Phillips M4 X 10mm	2
7	NLN5.S	Nyloc Nut M5 Zinc	3
8	MSP525.S	Machine Screw Pan Head Phillips M5 X 25mm	1
9	MSP545.S	Machine Screw Pan Head Phillips M5 X 45mm	2
10	SM68-10	Protection Guard (Right Side)	1
11	SM68-11	Sponge Filter (Round)	1
12	SM68-12	Sponge Filter Strip	1
13	SM68-13	Rubber Washer	2
14	MSP58.S	Machine Screw Pan Head Phillips M5 X 8mm	4
15	SM68-15	Motor	1
16	SM68-16	Rubber Gasket (for Motor)	1
17	SM68F	Cartridge Filter	1
18	SM68B	Dust Bag	1
19	SM68-19	Self-Tapping Screw ST4.2 x 10	2

Item	Part No.	Description	Qty
20	SM68-20	Transformer Box	1
21	SM68-21	EMC Filter	1
22	SM68-22	Self-Tapping Screw ST2.9 x 6.5	2
23	SM68-23	Drum Clamp	1
24	SM68-24	Drum Lid	1
25	SM68-25	Self-Tapping Screw ST5.5 x 18	3
26	SM68-26	Gasket Seal	1
27	SM68-27	Drum 50L	1
28	NLN6.S	Nyloc Nut M6 Zinc	4
29	FWM6.S	Flat Washer M6 Zinc	8
30	SM68-30	Suction Hose Inlet	1
31	MSP616.S	Machine Screw Pan Head Phillips M6 X 16mm	4
32	SM68-32	Suction Hose Clamp	2
33	SM68-33	Suction Hose 2m	1
34	SM68-34	Suction Hose Connector	1
35A	SM68-35A	Adaptor 105mm	1
35B	SM68-35B	Adaptor 70mm	1
35C	SM68-35C	Adaptor 45mm	1
35D	SM68-35D	Adaptor 40mm	1
35E	SM68-35E	Adaptor 35mm	1

**NOTE:** It is our policy to continually improve products and as such we reserve the right to alter data, specifications and component parts without prior notice. There may be alternative versions of this product, please contact us should you require this information.

**IMPORTANT:** No liability is accepted for incorrect use of product. Spare parts must be fitted by a competent person

**WARRANTY:** Guarantee is 12 months from purchase date, proof of which will be required for any claim.

Sealey Group, Kempson Way, Suffolk Business Park, Bury St Edmunds, Suffolk. IP32 7AR



01284 757500



sales@sealey.co.uk



www.sealey.co.uk